

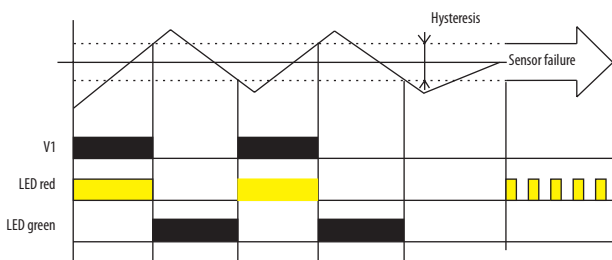
Thermostats TEV-2, TEV-3



EAN code
 TEV-2: 8595188129251
 TEV-3: 8595188129268

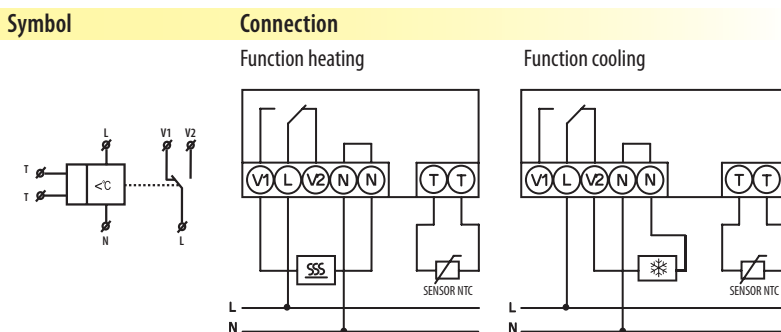
Technical parameters	TEV-2	TEV-3
Function:	one-level thermostat	
Supply terminals:	L - N	
Voltage range:	230V AC / 50 - 60 Hz	
Input:	max. 2.5 VA	
Tolerance of voltage range:	±15%	
<u>Measuring circuit</u>		
Measuring terminals:	T - T	
Temperature ranges:	-20 to +20 °C / -4 °F to +68 °F	+5 to +35 °C / +41 °F to +95 °F
Hysteresis (sensitivity):	3 °C (± 1.5 °C) / 37,4 °F (± 34,7 °F)	
Sensor:	thermistor NTC 12 kΩ	
Faulty sensor indication:	red LED flashing	
<u>Accuracy</u>		
Accuracy of settings (mechanical):	5 %	
Dependance on temperature:	< 0.1 % / °C	
<u>Output</u>		
Number of contacts:	1x changeover/ SPDT (AgNI / Silver Alloy)	
Current rating:	16 A / AC1	
Max. breaking capacity:	4000 VA / AC1, 384W / DC	
Peak current:	30 A / < 3 s	
Switched voltage:	250 V AC1 / 24V DC	
Min. switching output DC:	500 mW	
Output indication:	red LED	
Mechanical life:	3x10 ⁷	
Electrical life (AC1):	0.7x10 ⁵	
<u>Other information</u>		
Operation temperature:	-30 to +50 °C (-22 °F to 122°F)	
Operation position:	any	
Protection degree:	IP 65	
Overvoltage category:	III.	
Polution level:	2	
Max. cable size (mm ²):	solid wire 2.5/ with sleeve 1.5 (AWG 12)	
Dimensions:	110 x 135 x 66 mm (4.33" x 5.3" x 2.3")	
Weight:	266 g (9.38 oz.)	277 g (9.77 oz.)
Standards:	EN 60730-2-9, EN 61010-1	

Function TEV-2, TEV-3

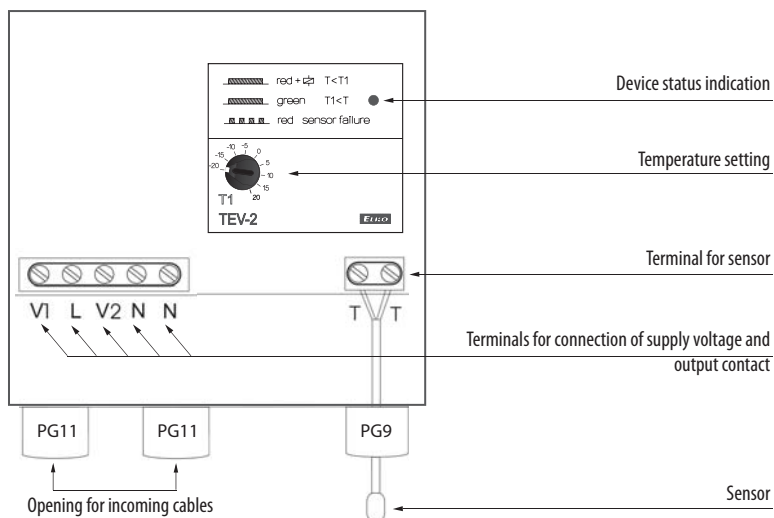


TEV-2 and TEV-3 are universal single thermostats for universal use. In case ambient temperature is higher than set temperature relay is open (function HEATING), for cooling function (opposite function) is possible to use NC contact of relay (V2).

- Single thermostat with possibility of temperature management in adjustable range (it is possible to modify this range or make a special one on request)
- Used to regulate heating (or cooling) in demanding environments (outside , humidity, dustiness, etc.)
- Thermostat is placed in water-proof box with IP65 protection, which enables installation outside, with in-built sensor TC-0
- **TEV-2** - control and indication elements are placed under transparent cover
- **TEV-3** - control and indication elements are placed directly on the cover (for easy orientation and frequent change of temperature)
- Thermostat status is indicated by LED (2 colours)
- Function of monitoring sensor disconnection and short-circuit
- Output changeover /SPDT contact 16A (AC-1)



Description TEV-2 (without cover)



Description TEV-3 (cover)

