

Technical Data Sheet

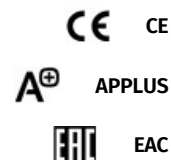
CODE 15166

TORRETTA TRM 30 ED-V 4P

Centrifugal roof fans with vertical discharge for hot fumes extraction



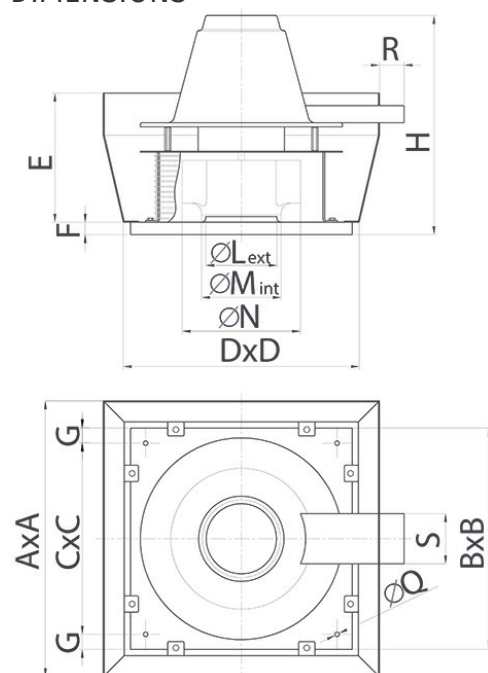
Certifications



TECHNICAL AND PERFORMANCE DATA

Absorbed Current max (A)	1,75	Number of Poles	4
Absorbed Power max (W)	410	Voltage (V)	230
Frequency (Hz)	50	Weight (Kg)	63
Insulation Class	I°	Delivery max (l/s)	861
Max ambient temperature for continuous operation (°C)	85	Delivery max (m³/h)	3100
Motor IP protection	55	Pressure max (mmH2O)	40
Nominal Diameter (mm)	300	Pressure max (Pa)	392
Number of Phases (Ph)	1	RPM	1380
		Sound Pressure level Lp [dB (A)] 3m	67

DIMENSIONS



Dimensione Q (mm)	11
Dimensione R (mm)	40
Size A (mm)	907
Size B (mm)	550
Size C (mm)	500
Size D (mm)	580
Size E (mm)	432
Size F (mm)	38
Size G (mm)	25
Size H (mm)	653
Size L (mm)	260
Size M (mm)	265,5
Size N (mm)	404

PER INFORMAZIONI:

Servizio al Cliente: tel +39 02 90699395 premendo 1 dopo messaggio registrato (consulenza su prodotti e impianti)

Pre & Post Vendita: fax +39 02 90699302

Email prevendita: prevendita@vortice-italy.com

Technical Data Sheet

CODE 15166

TORRETTA TRM 30 ED-V 4P

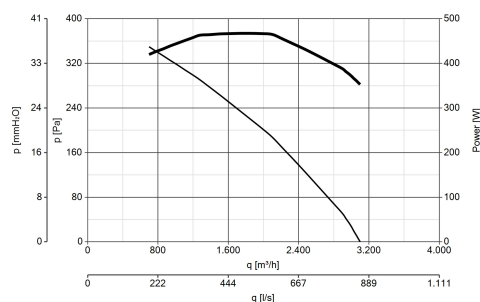
Centrifugal roof fans with vertical discharge for hot fumes extraction



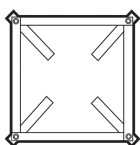
DESCRIPTION

- Centrifugal roof fan suitable for extracting hot fumes at up to 400 °C for 120 minutes.
- Base manufactured from phosphated pressed steel, epoxy powder coated with hammered effect finish, guaranteeing long-term resistance to atmospheric agents.
- Aerodynamically contoured inlet port for optimum performance, fashioned as a single unit with the base and gauged to optimize air flow.
- Motor mounting plate made of steel with galvanization surface treatment.
- Protective cap carried by top plate made of steel with galvanization surface treatment.
- Cold outside air drawn into a cooling chamber made of pressed steel with polyester powder coated and oven baked hammered effect finish, colour grey.
- Pressed steel motor cover: pickled and phosphated surface, polyester powder coated and oven baked finish, colour grey, with hammered texture.
- Accident prevention and anti-bird grilles (to UNI ISO 13857 standard), consisting of electrically welded steel rings with epoxy powder coated finish, colour black.
- Centrifugal impeller with self-cleaning backward curved blades, dynamically balanced (UNI ISO 1940, Point 1 – Class 6.3), made of electrolytically galvanized steel.
- 1 speed single phase AC motor with shaft turning in ball bearings, size to UNEL MEC standard, flange B5, self-ventilating. Motor insulation class H, with metal cooling fan and cable gland.
- Maximum air flow: 3100 m³/h.
- Equipped with a motor start capacitor that must be installed remotely from the fan so that it cannot be damaged through direct exposure to heat.
- Galvanized steel eye lugs for transport and lifting/handling operations.
- Cable guaranteeing continuity of earth connection.
- Steel safety wire for anchoring appliances once installed.
- Vortice speed controller.

CURVES



ACCESSORIES



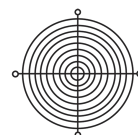
TR-CU
20/30/50
(CONTROTELAIO
DI BASE U)
Code 22512



IREM 3 CD
99250080
Code 12931



IREM INVERTER
4 M
Code 12815



TR-G 20/30/50
(GRIGLIA DI
PROTEZIONE)
Code 22710

PER INFORMAZIONI:

Servizio al Cliente: tel +39 02 90699395 premendo 1 dopo messaggio registrato (consulenza su prodotti e impianti)
Pre & Post Vendita: fax +39 02 90699302
Email prevendita: prevendita@vortice-italy.com