

Lindab **DCS**

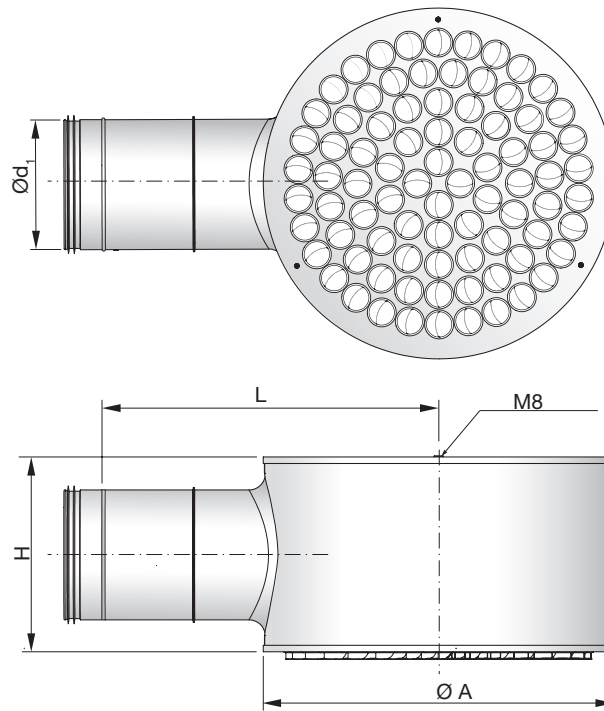
Installation instruction - UK
Installations vejledning - DK
Montageinstruktion - SE
Asennusohje - FI
Montageanleitung - DE
Istruzioni di montaggio - IT
Instructions de montage - FR



Product
 Produkt
 Produkt
 Tuote
 Produkt
 Prodotto
 Produit



Dimensions
 Dimensioner
 Mått
 Mitat
 Maße
 Dimensioni
 Dimensions



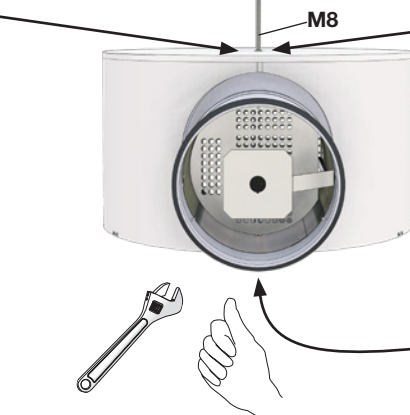
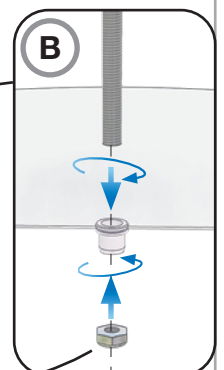
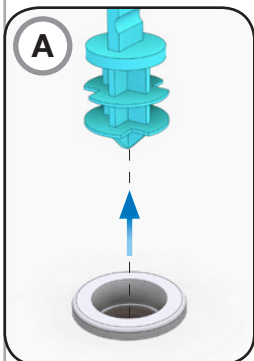
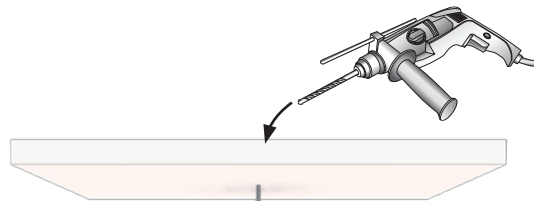
Ød ₁ Size [mm]	ØA [mm]	Ød ₁ [mm]	L [mm]	H [mm]	Weight [kg]
100	300	100	365	200	3,1
125	360	125	395	215	4,0
160	460	160	470	260	5,2
200	540	200	545	300	7,7
250	680	250	645	350	10,5
315	680	315	685	420	10,8

DCS

uninstall faceplate
demontering af bundplade
avmontera frontplatta
Etulevyn irrotus
demontage der Frontplatte
Smontaggio del frontale
demontage de la façade

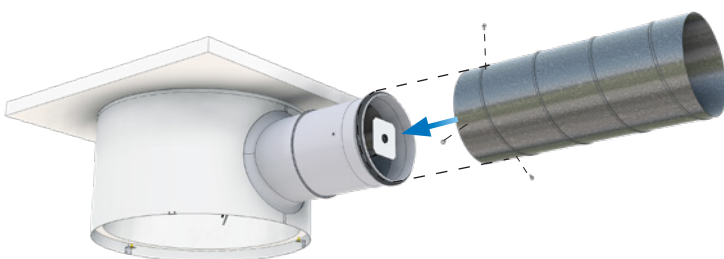
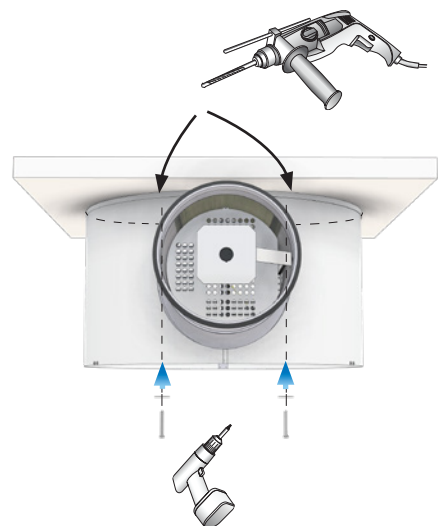


Mounting of DCS - with M8
Ophængning af DCS - med M8
Upphängning av DCS - med M8
Kannakointi DCS - M8: n kanssa
Montage des DCS - mit M8
Montaggio di DCS - con M8
Montage de DCS - avec M8



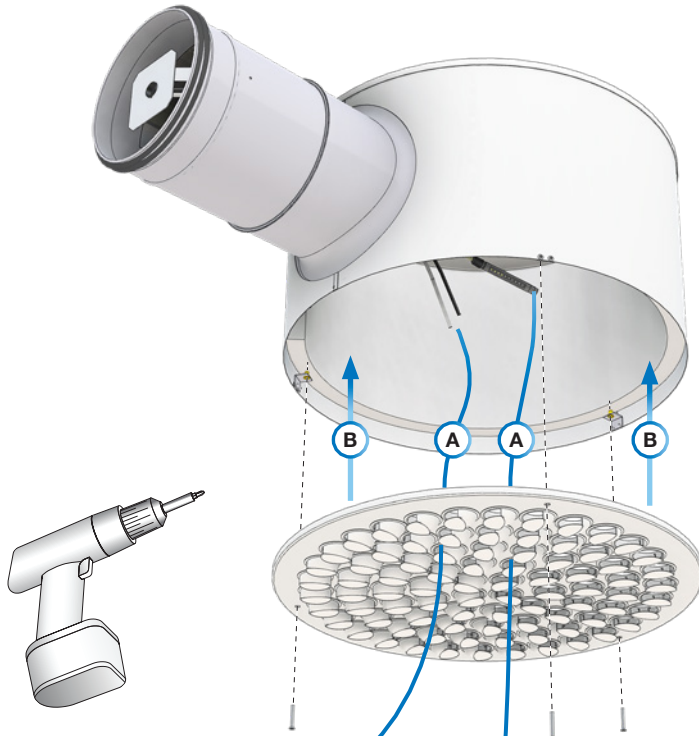
Mounting of DCS
Ophængning af DCS
Upphängning av DCS
Kannakointi DCS
Montage des DCS
Montaggio di DCS
Montage de DCS

Directly against ceiling
Direkte mod loft
Dikt mot tak
Suoraan kattopintaan
Direkt an die Decke
Direttamente a soffitto
Directment contre le plafond



DCS

Balancing
 Indregulering
 Injustering
 Säätöohjeet
 Einregulierung
 Bilanciamento
 Réglage



1

Open / closed damper
 Åpent / lukket spjæld
 Öppet / Stängt spjäll
 Säätöpeltti auki / kiinni
 Geöffnete / Geschlossene Drossel
 Serranda aperta / chiusa
 Registre ouvert / fermé
 Nyitott / zárt szabályozó

2

DCS Dim	K-Factor
100	4.14
125	6.59
160	11.3
200	18.0
250	29.9
315	49.9

3

$$q_v \text{ [l/s]} = k \times \sqrt{\Delta p_i}$$

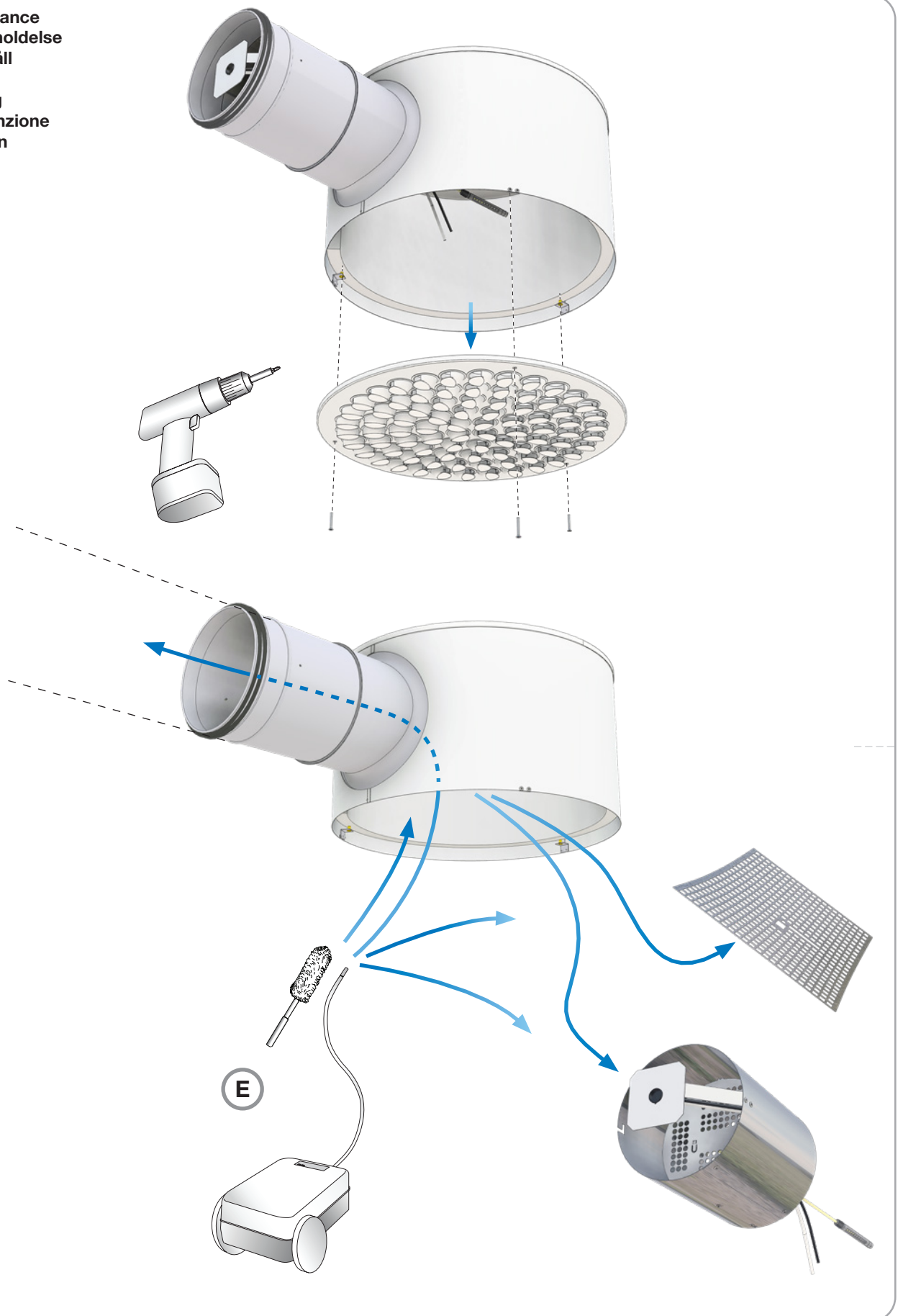
$$\Delta p_i = (q_v / k)^2$$

$$q_v \text{ [m}^3\text{/h]} = q_v \text{ [l/s]} \times 3,6$$

4

DCS

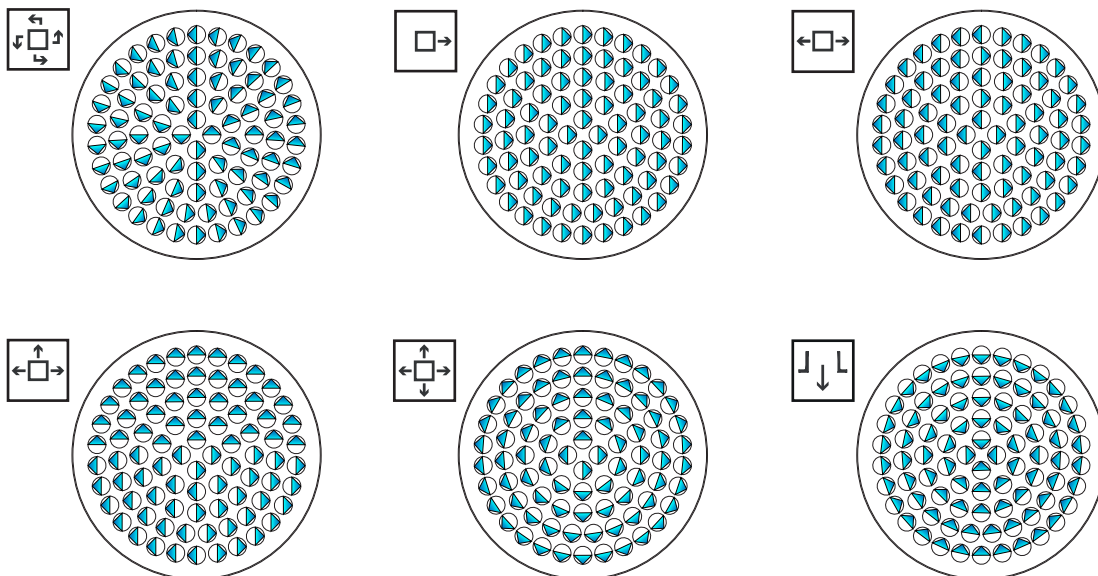
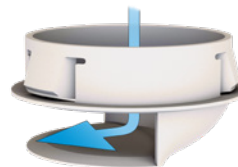
Maintenance
 Vedligeholdelse
 Underhåll
 Huolto
 Wartung
 Manutenzione
 Entretien



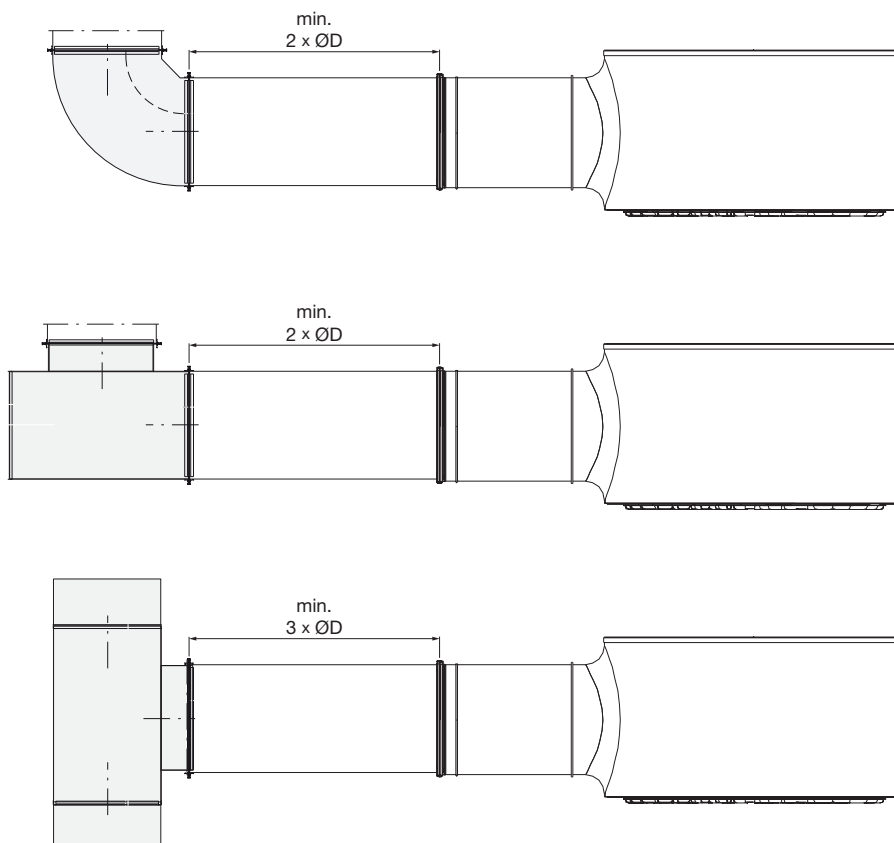
DCS

Air patterns
Luftmønstre
Dysinställning
Suuttimien säätö
Luftführung
Tipologia di lancio
Configuration de diffusion

1. Rotation
2. 1-way
3. 2-way
4. 3-way
5. 4-way
6. Vertical supply



Min. distances
Min. distance
Min. distans
Min. etäisyys
Min. Entfernung
Min. distanza
Min. distance





Good Thinking

At Lindab, good thinking is a philosophy that guides us in everything we do. We have made it our mission to create a healthy indoor climate - and to simplify the construction of sustainable buildings. We do that by designing innovative products and solutions that are easy to use, as well as offering efficient availability and logistics. We are also working on ways to reduce our impact on our environment and climate. We do that by developing methods to produce our solutions using a minimum of energy and natural resources, and by reducing negative effects on the environment. We use steel in our products. It's one of few materials that can be recycled an infinite number of times without losing any of its properties. That means less carbon emissions in nature and less energy wasted.

We simplify construction