

## AW 400 EC sileo Axial fan

Article number: 35860

Variant : 230V 1~ 50/60Hz



### Description

- 100% speed controllable
- electric connection via terminal box mounted on the motor
- inlet protection guard
- Integrated motor protection
- safe and maintenance free operation
- installation in any mounting position

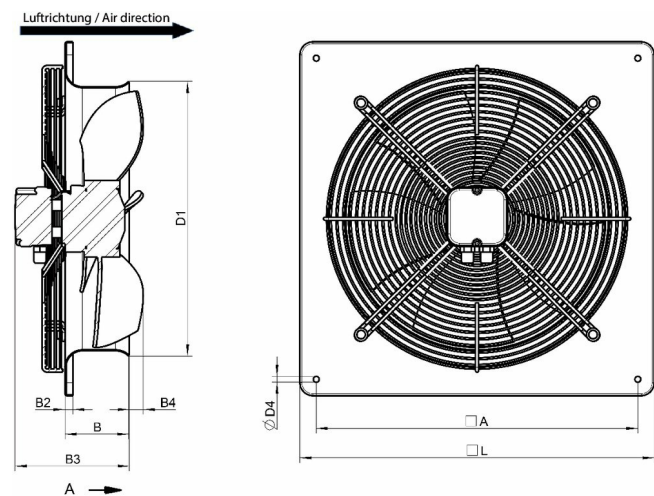
Axial fans of the range AW EC sileo are driven by high efficient, energy saving EC-external rotor motors. The power electronics is integrated in the motor casing/terminal box. All motors are suitable to be used for 50/60Hz. The input voltage for single phase units can vary between 200 and 240V. Speed control by a 0-10V signal. The AW EC sileo range is equipped with a square wall plate...

[Find more details in our online catalogue](#)

### Technical parameters

Nominal data	
Voltage (nominal)	230 V
Frequency	50; 60 Hz
Phase(s)	1~
Input power	138 W
Input current	1.14 A
Impeller speed	1,075 r.p.m.
Air flow	max ; 4,075; m <sup>3</sup> /h
Air flow at max. efficiency	2,700 m <sup>3</sup> /h
Specific ratio	1,000000
Temperature of transported air	max 60 °C
Max temperature of transported air, when speed controlled	60 °C
Sound data	
Sound pressure level at 1m	55 dB(A)
Protection/Classification	
Enclosure class, motor	IP54
Insulation class	B
Data according to ErP	
ErP ready	ErP 2018
Measurement category	A
Efficiency grade	48.7 $\eta_{actual}$
Efficiency, static	36.8 $\eta_{statA}$
Target efficiency grade ErP2013	36 $\eta_{target2013}$
Target efficiency grade ErP2015	40 $\eta_{target2015}$
Dimensions and weights	
Weight	7.3 kg

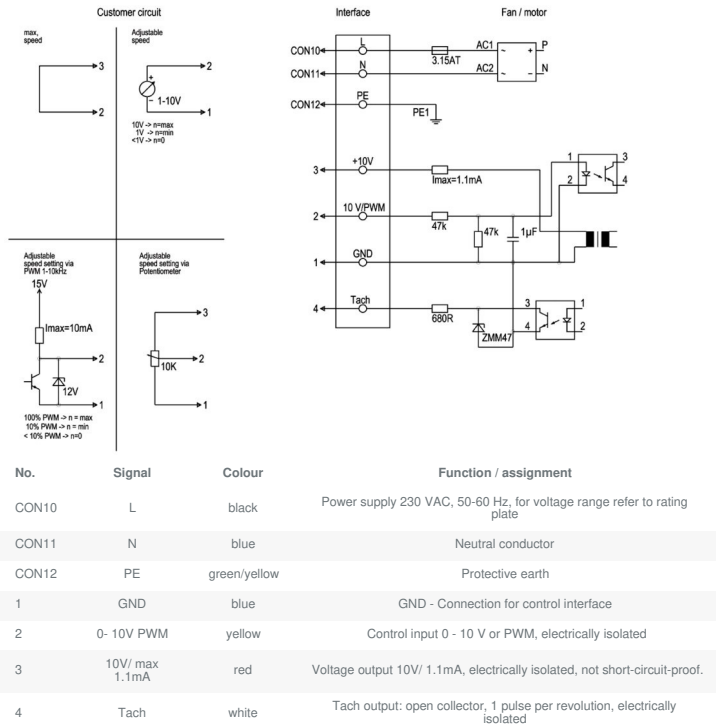
### Dimension



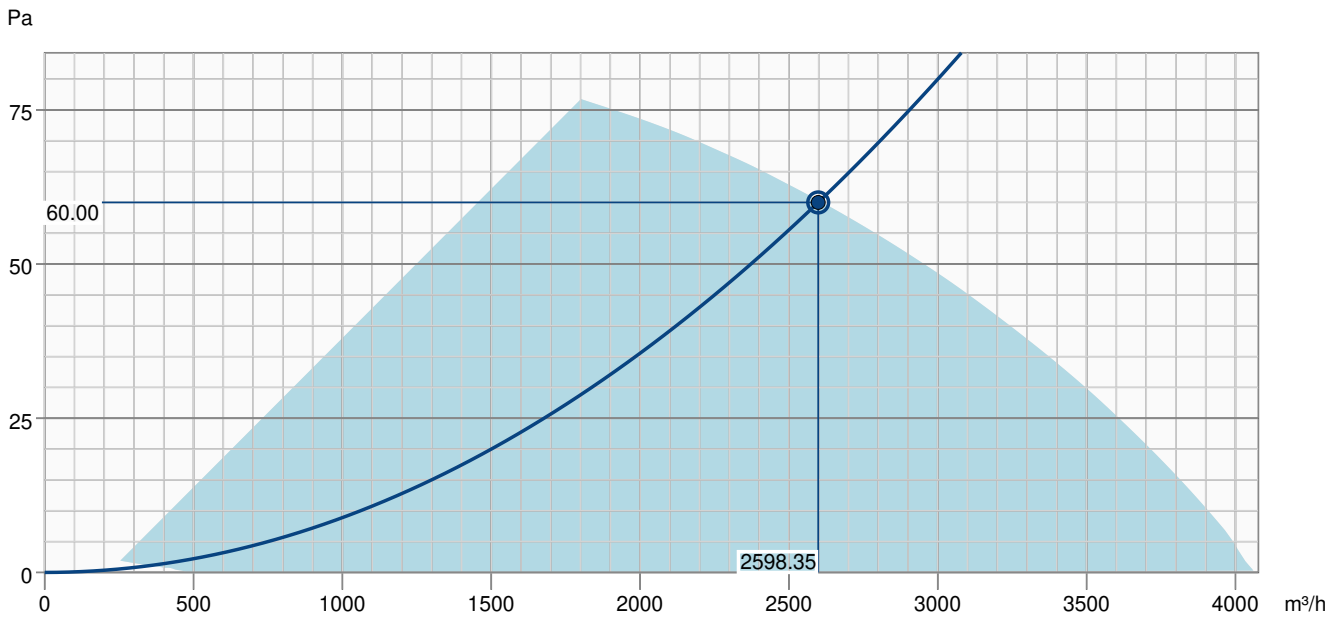
	□A	B	B2	B3	B4	ØD1	ØD4	□L
AW 400 EC sileo	490	98	12	175	20	419	9	540

Others	
Color name, casing	Black
Motor type	EC

## Wiring



## Performance curve



Hydraulic data										
Required air flow										2598 m³/h
Required static pressure										60 Pa
Working air flow										2598 m³/h
Working static pressure										60 Pa
Air density										1.204 kg/m³
Power										134.3 W
Fan control - RPM										1088 rpm
Current										1.10 A
SFP										0.186 kW/m³/s
Control voltage										230.0 V
Supply voltage										230 V
Sound power level		63	125	250	500	1k	2k	4k	8k	Total
Inlet	dB(A)	42	46	51	55	58	56	52	41	62

## Accessories

EC-Basic-CO2 and temperature (24808)

EC-Basic-T temperature (24805)

EC-Vent control board (3115)

MTP 10, 10K, Speed control (32731)

MTV-1/010 Controller 0..10V+ (30650)

S-SEC/FRQ (76738)

VK-40 Louvre shutter (87691)

EC-Basic-H humidity (24807)

EC-Basic-U universal 0-10V (24806)

EC-Vent Room Unit (3018)

MTP 20, on/off, 3-step (310220)

REV-3POL/03-7,5kW R/Y (33978)

SG AW-D BGr 040, RAL 9005 (30601)

## Documents

IMO\_AW 400 EC SILEO\_35860\_DE.EN.PDF

MANUAL\_AW\_\_AR\_EBM\_EN\_003-MIN.PDF

EU-Declaration\_of\_conformity\_en\_005

installation variations\_2\_AR\_AW.pdf