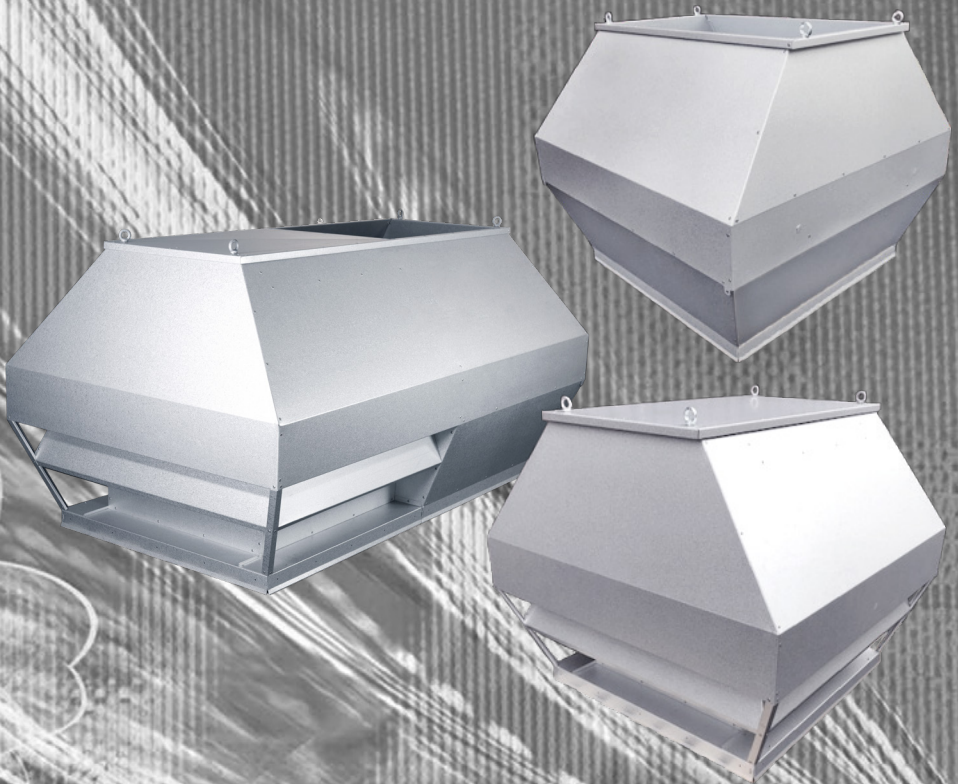


Roof hoods E-line & S-line  
Roof inlets EKO-T & EKO-TD



Installation- and maintenance instructions 2021-11

## Table of contents

General about the product .....	2	Installation .....	5-8
Lifting instructions .....	3	Maintenance.....	9
Anchoring of Roof hood .....	3		

## General about the product

### Transport

The product is transported to the assembly site with a crane or forklift.

### Important!

To avoid damage the product must be lifted, the product must not be pulled or lowered hard against the surface.

2

### Checking delivered goods

Check the delivery for transport damage and to ensure that it is complete as soon as it arrives. The approved delivery is acknowledged the consignment note. Products with defects may not be installed. Contact the supplier immediately.

### Storage

If you have to store the packages temporarily store it in a dry dust free place. Do not expose to any aggressive gases or liquids. The product must be handled so that no mechanical damage occurs to it.

### Commissioning

The product must not be used until the whole the installation is in operational condition.

### Personnel requirements

Assembly/ installation and commissioning must only be carried out by instructed personnel or by the manufacturer. Instructions in this manual must be followed, if you have any questions contact the supplier.

### EKOVENT AB hereby disclaims all responsibility for:

- |  |   |
|--|---|
| - Damage due to incorrect transport, handling or storage.  | - Personal injury or property damage as a result of the product has been used in violation of instructions and specifications in this manual. |
| - That the user has failed to inspect, maintain and to a reasonable extent take care of the equipment. | EKOVENT's liability shall be limited to repair or replacement of faulty equipment part.   |

## Lifting instructions

### Important!

Carefully read our instructions that apply to each product and size. Use the designated lifting method and the designated lifting accessories.

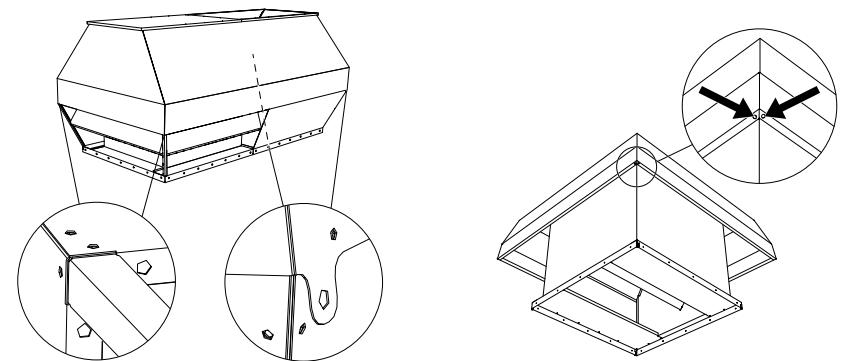
- Lifting may be only performed by appropriately trained personnel.
- Only the product may be lifted. The lifting of person or other types of lifting must not be performed when lifting the roof hood.
- Do not stand under suspended loads.
- Lifting of products may only be carried out using lifting equipment approved for the intended purpose. Approved shackles, lifting or sling hooks must be used in combination with chains, slings or straps.
- Use all (four) lifting points.
- Carefully check that the assigned lifting points are not damaged before lifting
- Check that the specified angle (20°) is on connecting lifting gear is not exceeded. For compensation of angles or lengths must approved screws be used .
- When lifting our roof hoods, the methods described for the particular hood model must be applied. We recommend that the H-yoke or frame-yoke is used when lifting products with four lifting points or more to ensure a so evenly distributed load as possible
- The Roof inlets are lifted separately

3

## Anchoring

All roof hoods are prepared for anchoring. E-Line have lifting eyes than can be used.

S-Line has pre-punched holes that can be used if needed.



E-Line

S-Line

Weight (kg)

Model Size	EKO- HAE	EKO- HUE	EKO- HKE	EKO- HAAS	EKO- HUAS	EKO- HKAS	Model Size	EKO- TD (EI30)	Model Size	EKO- T (EI30)
20	9	9	14	14	12	35	10	30	3	19
30	13	13	21	18	15	43	12	36	4	26
40	17	18	29	38	30	85	13	41	5	32
50	23	24	38	50	40	110	16	52	6	39
60	29	30	49	63	48	130	18	62	6,5	43
80	56	57	94	95	75	190	20	63	7	46
100	79	79	132	125	95	230	22	74	8	52
120	106	106	162	160	125	270	24	84	9	59
140	138	137	210	205	155	305	28	96	9,5	63
160	174	179	267	250	175	345	30	106	10	66
180	223	226	340				34	118	11	72
200	273	278	420				40	140	12	79
							42	150	13	85
							44	162	14	92
							46	184	15	98
							48	215	16	105
							50	255	17	111
									18	118
									19	125
									20	131
									21	138

Installation

Installation EKO-T and EKO-TD

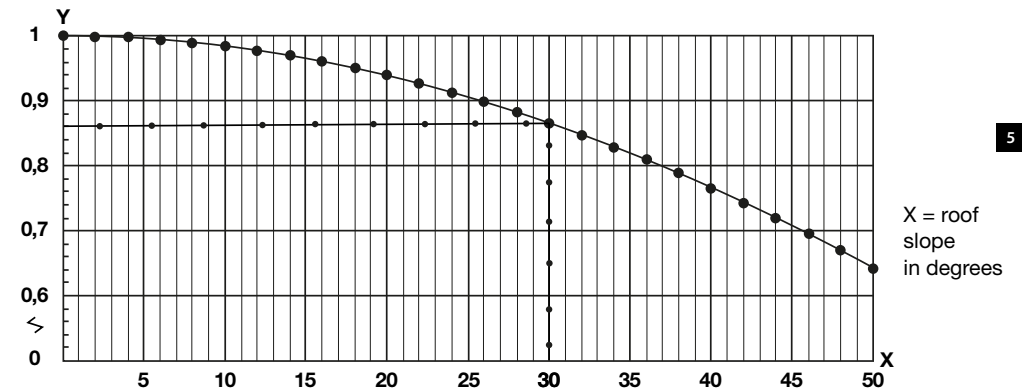


- The Roof inlet must be at least 300 mm above the roof.
- For horizontal roofs, the cut out size installation of Roof inlet is AxB + 20 mm.
- In the case of sloping roofs, the roof slope must be taken into account, see below.
- Roof inlet is mounted horizontally.

Important!

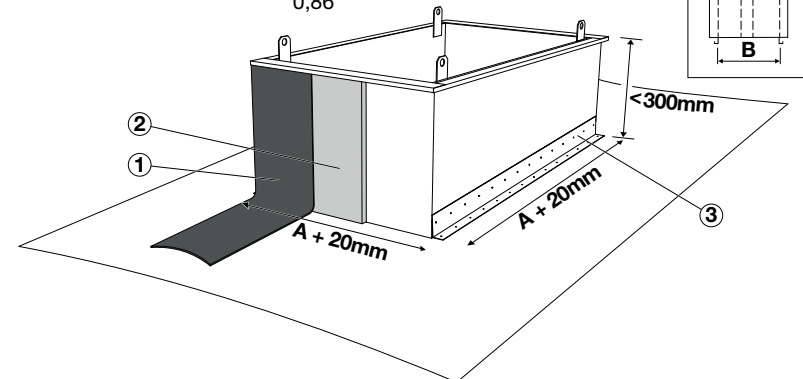
Follow the lifting instructions to perform safe lifting.

1. Calculate the cut out size in the roof according to the charts and examples below.
2. Use the lifting points and place the Roof inlet in the hole.
3. Secure the Roof inlet to the ceiling with the mounting brackets (3) by screwing in the attachment points. Use self-drilling sheet metal screw 4.8x25 mm or equivalent.
4. Cover the Roof inlet with plywood (2), roofing felt (1), sheet metal or other approved sealing method.



Cut out size for sloping roof =  $\frac{\text{Width Roof inlet (A)}}{\text{Constant Y according to diagram}} + 20 \text{ mm}$

Example roof slope 30 degrees =  $\frac{900}{0,86} + 20 = 1067 \text{ mm}$

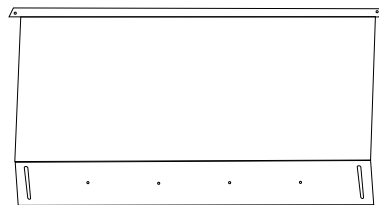
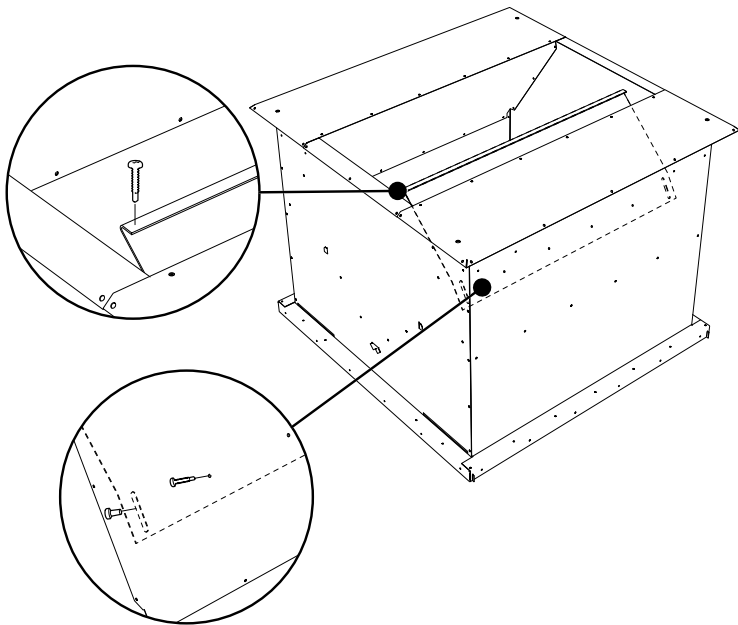


### Installation of EKO-SUH (Adjustable outlet speed)

(Applies to EKO E-Line size 20-200 and EKO S-Line size 20-100)

EKO-SUH is placed in the roof hood outlet and adapted to its attachment points in the hood.

1. Adjust the EKO-SUH to the desired position and lock with a sheet metal screw in the upper edge of the hood.
2. Lock EKO-SUH with blind rivet nut M10 and sheet metal screws.



EKO-SUH

#### Calculate the desired area:

$$A = q/v$$

v = Desired outlet speed, m/s

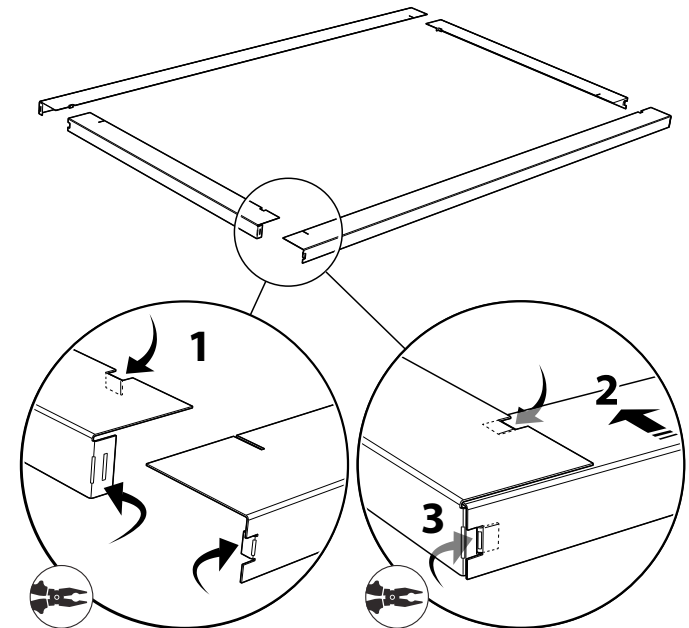
q = Available air flow, m<sup>3</sup>/s

A = Outlet area, m<sup>2</sup> (AxB)

### Installation of the mount frame

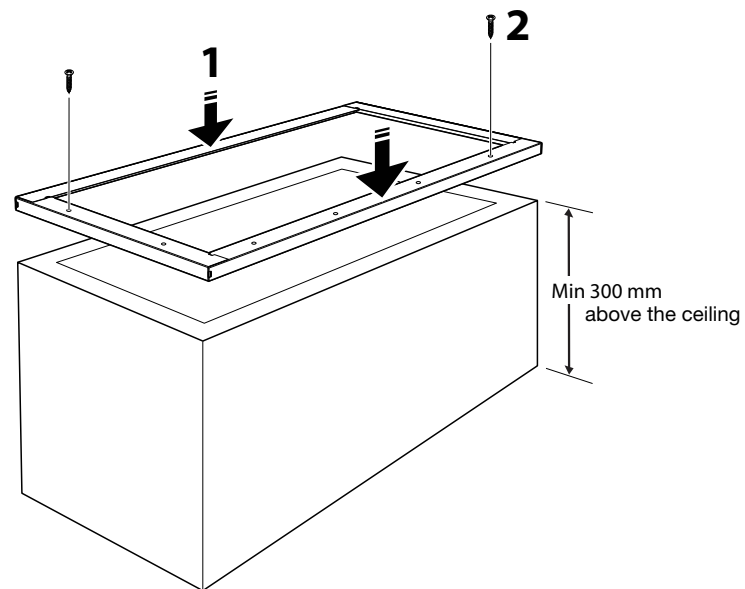
The mounting frame consists of four loose angle plates with foldable sheets in the corners.

1. Fold the plate 90°.
2. Bring the corners of the angle plates together.
3. Fold the plates another 90° so that they lock the angle plates together.



### Installation of the mount frame

1. Place the mounting frame on the Roof inlet.
2. Screw the mounting frame to the Roof inlet.  
Use self-drilling sheet metal screw 4.8 x 25 mm or equivalent.

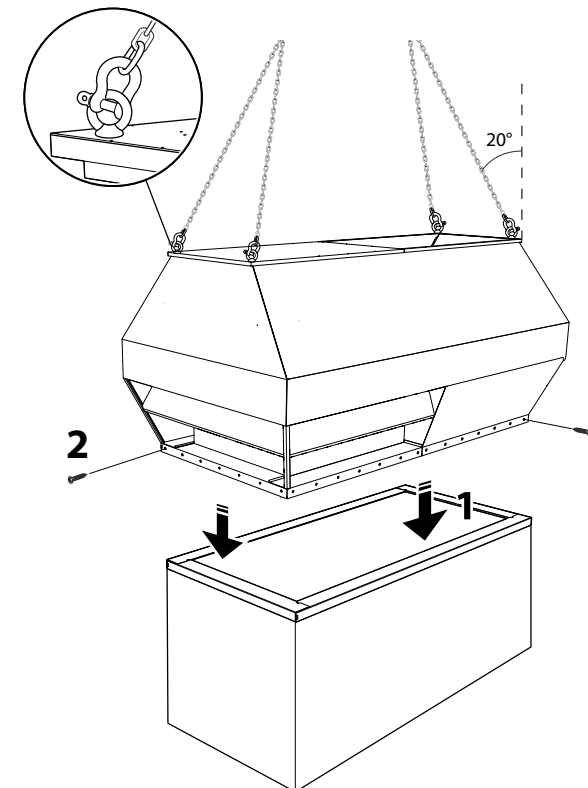


### Installation of the Roof Hood

- Be sure to place the Hood upright with exhaust air and outdoor air over each duct in the Roof inlet. Roof hood and Roof inlet are mounted horizontally.

**Important!** Follow the lifting instructions to perform safe lifting.

1. Use the lifting points and place the roof hood on the mounting frame.
2. Attach the hood to the mounting frame by screwing in the attachment points. Use self-drilling sheet metal screw 4.8 x 25 mm or equivalent.



## Maintenance

- Check and correct any visible damage.
- Check that the hood is properly attached in the Roof inlet and that any stay lines are whole and taut.
- Check that the hood's wire mesh is secure mounted and have no visible damages.
- Remove any accumulation of leaves, dirt or snow.
- Make sure that no object obstructs the air flow.
- Inspect the drainage holes in the Roof hood that no dirt or leaves obstruct the water from running out of the hood.

## Cleaning

- The requirement for cleaning corresponds to the requirements which is placed on the facility in general and the applicable product warranty.
- Do not clean the hood with a high-pressure cleaner.

## Notes:

---

---

---

---

---

---

---

---

---

---

---

---

---

---

---

---

---

---

---

---

---

---

---



**EKOVENT**®

HEAD OFFICE  
Mejselgatan 7, 235 32 Vellinge  
Tel 040-42 16 00  
[www.ekovent.se](http://www.ekovent.se) [info@ekovent.se](mailto:info@ekovent.se)

REGIONAL OFFICE GÖTEBORG  
Boråsvägen 5, 435 31 Mölnlycke  
Tel 031-23 07 40

REGIONAL OFFICE STOCKHOLM  
Vallgatan 9, 170 67 Solna  
Tel 08-508 613 00