

SAVE VTR 250/B L 1000W

Article number: 488823

Variant : Bag Filters Standard kit



Description

Filter kits:

145923 BF STD kit (F7/ePM1 60% supply and M5/ePM10 60% extract)

145779 BF OPT kit 1 (accessory) (F8/ePM1 70% supply and M5/ePM10 60% extract)

Main features:

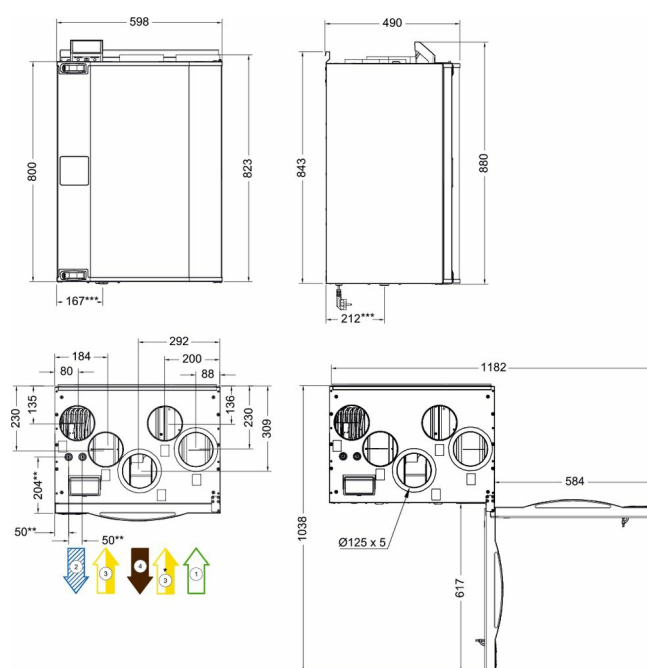
- High energy-efficiency rotary heat exchanger with EC technology fans
- Demand control regulation with the built-in humidity sensor
- Moisture transfer function to minimize condensation in supply air during wintertime
- Multiple control options to choose from
- Connection board for easy access and connection of accessories
- Modbus communication RS-485 as standard
- DIBt, Passive House and Eurovent Certification

SAVE VTR 250/B is adapted for ventilation of smaller houses and apartments with an...
Find more details in our online catalogue

Technical parameters

Product	
Voltage (nominal)	230 V
Frequency	50 Hz
Phase(s)	1~
Recommended fuse	10 A
Enclosure class	IP22
Exchanger	
Heat exchanger rotor drive type	Variable speed
Exchanger type	Rotating
Heater	
Input power, reheater	1 kW
Supply air	
Input power, supply fan	83 W
Extract air	
Input power, extract fan	83 W
Filter	
Filter class, supply air	ePM1 60%
Filter class, extract air	ePM10 60%
Color casing	
Color casing, RAL	RAL 9010
Dimensions and weights	
Weight	56 kg
Used for	
Installation placement	Vertical
Supply side	Left

Dimension



* Cooker hood connection

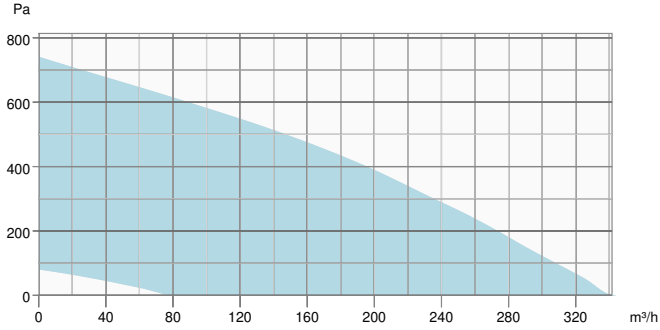
** Water battery connections

*** Drainage connection

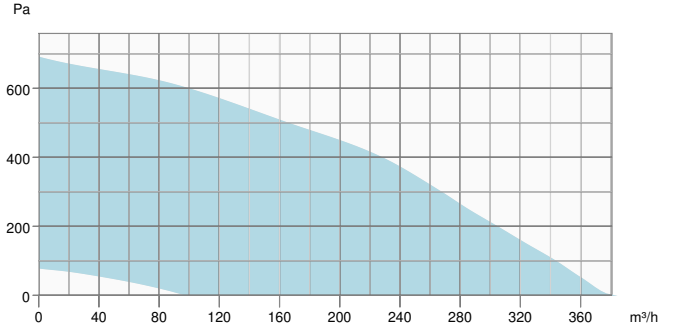
- 1 Outdoor air
- 2 Supply air
- 3 Extract air
- 4 Exhaust air

ErP	
Energy class, Basic unit	A
Energy class, Local demand	A
ErP ready	ErP 2016; ErP 2018

Supply - Performance curve



Extract - Performance curve



Unit	Supply	Extract
Required air flow	-	-
Working air flow	-	-
Required external pressure	-	-
Working air pressure	-	-
Power	-	-
Fan control - RPM	-	-
Recommended Low - RPM	-	-
Recommended High - RPM	-	-
Fan control - %	-	-
Recommended Low - %	-	-
Recommended High - %	-	-
Air density		1.204 kg/m ³
SFP		-
Supply air temperature		-20.0 °C
Sound pressure level (reverberant field)		Total
Heat recovery	Supply	Extract
Inlet air temperature	-	-
Outlet air temperature	-	-
Inlet air humidity	-	-
Outlet air humidity	-	-
Condensate	-	-
Transferred power	-	-
Temperature efficiency unit (EN 13141-7)	-	-
Temperature efficiency component (EN 308)	-	-
Humidity efficiency	-	-
Exchanger type	-	-

Accessories

BF VTR 250 OPT kit 1 (145779)	BF VTR 250 STD kit (145923)
SAVE CONNECT (323606)	SAVE LIGHT Black (319119)
SAVE LIGHT White (319118)	SAVE TOUCH Black (138078)
SAVE TOUCH White (138077)	CB heater connection kit 1 ~ (142852)
Presence detector/IR24-P (6995)	Pressure guard with pitot tube (212987)
RMK (153549)	RMK-T (153548)
SAVE Wall Mounted Kit (140736)	Systemair-1 CO2 duct sensor (14906)
Systemair-E CO2 RH Temperature (211522)	Systemair-E CO2 sensor (14904)
VAV/CAV conversion kit (140777)	VBC 125-3 Water heating batt (9839)
CB 125-1,2 230V/1 Duct heater (5290)	CEC Cable w/plug 12m (24782)
CEC Cable w/plug 6m (24783)	CWK 125-3-2,5 Duct cooler,circ (30021)
Diverting plug 4pin (254978)	Duct sensor -30-70C (211524)
FK 125 Fast clamp (1608)	LDC 125-600 Silencer (5190)
LDC 125-900 Silencer (5191)	Plastic Drainage kit (146077)
RS-24V (159484)	Surface sensor -30-150C (211523)
VBC 125-2 Water heating batt (5457)	392-10/B Slimline White (77265)
602-10/B Cookerhood S.Steel (47562)	602-10/B Cookerhood White (47561)
722-10/B TENDER Wall 600 steel (78976)	722-10/B TENDER Wall 600 white (78978)
722-10/B TENDER Wall 900 steel (78977)	762-10/B OPAL Wall 600 steel (78970)
762-10/B OPAL Wall 900 steel (78971)	772-10/B OPAL Free 900 steel (78972)
782-10/B STIL Wall 600 steel (78973)	782-10/B STIL Wall 900 steel (78974)
792-10/B STIL Free 900 steel (78975)	Ceiling Mounting kit VTR250L (151640)
Ceiling Mounting kit VTR250R (151641)	CLASSIC - B White (326802)
Connectduct Ø 125/1,0 M/F (2556)	CVVX 125 Combi grille, black (26421)
CVVX 125 Combi grille, white (26422)	Duct Cover White VTR 250/B (156360)
Flowgrid 190 mm kit (151642)	MONOLIT - B S.Steel (326801)
MONOLIT - B White (326800)	Push button, impulse (9693)
Room sensor 0-50C (211525)	RVAZ4 24A Actuator 0-10V (9862)
TUNE-R-125-3-M4 (311968)	Water coil SAVE VTR 250/B (156370)
ZTR 15-0,4 valve 3-way (9670)	ZTR 15-0,6 valve 3-way (6573)
ZTV 15-0,4 2-way valve (9829)	ZTV 15-0,6 2-way valve (6571)

Documents

Control_panel_mounting_guide_v4.pdf
SAVE Energy label placement A003.pdf
SAVE_MODBUS_VARIABLE_LIST_20210301_REV36.PDF
SAVE_VTR_250B_INSTALLATION_EN_V01.PDF
SAVE_VTR_250B_SERVICE_AND_ACCESSORIES_INSTALLATION_EN_V1.PDF
SAVE_VTR_250B_USER_MANUAL_EN_V01.PDF
SYSTEMAIR_SAVE_VTR_250_DISASSEMBLY_GUIDE_EN_SE_DE_NO_FI_20181207.PDF
88251_SAVE_VTR250_L.dxf
Certificate Passive House Institute - SAVE VTR 250
Eurovent Certification Diploma 20211215.pdf
SAVE_Commissioning_record_EN_v02_20191107.pdf
SAVE Technical fiche (A010).pdf
WD_VSR150B-300-500_VTR250B_300_500_MUL_20210315_074216115.PDF